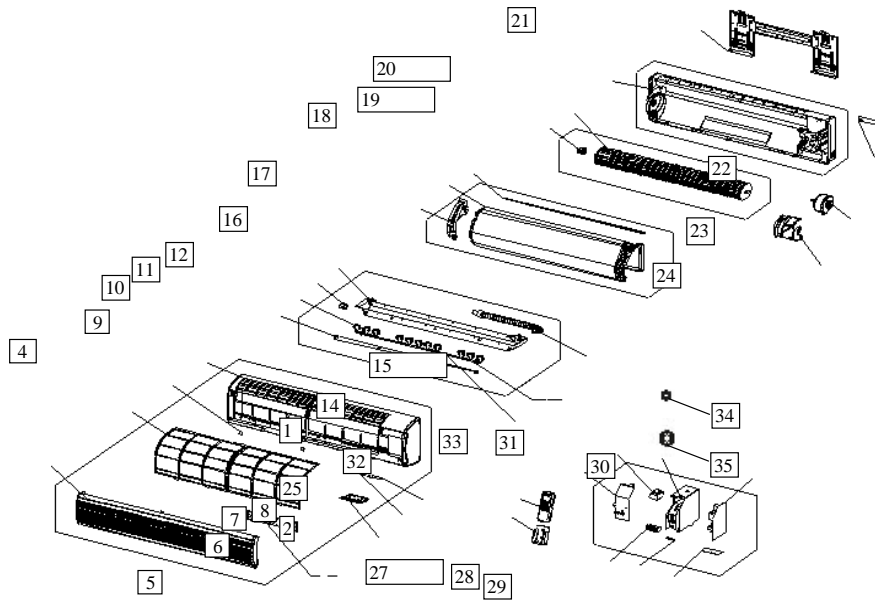


Indoor unit parts list

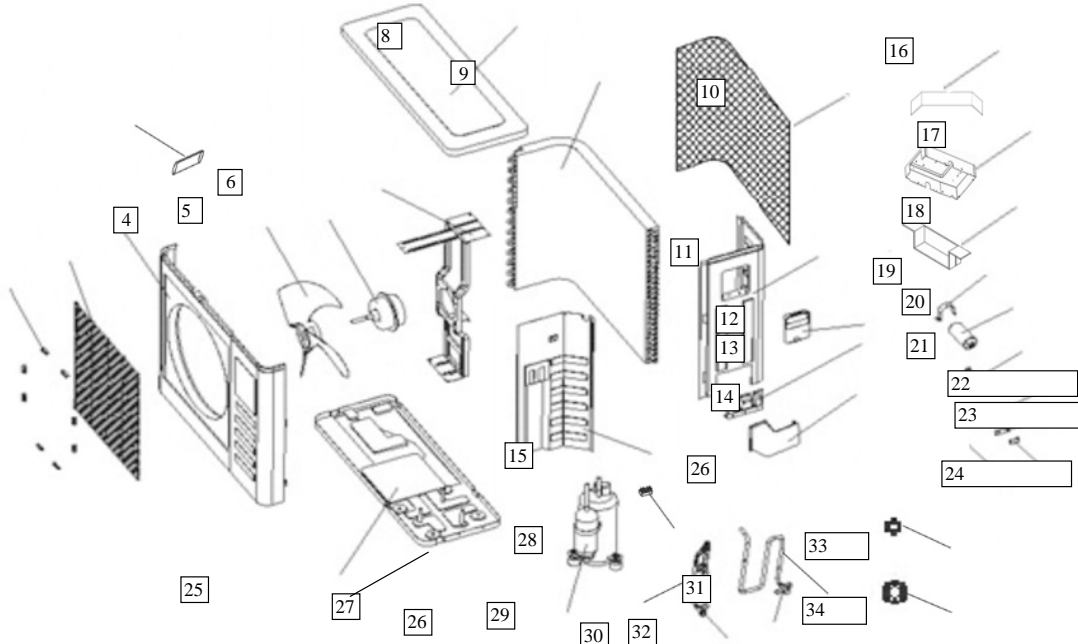
Exploded View Parts for Model: TKU(H)09VM 115V,60Hz : Indoor Unit



No.	PARTS DESCRIPTION	QUANTITY	PARTS CONTROL NO.		UNIT PRICE
No.	Part Name	Quantity	Sale code	BOM code	Price(\$)
1	Front Panel	1	10912121001	2113132307	P.O.A
2	Air Filter	2	10312121202	2113132312	P.O.A
3	Screw cap	3	10312121203	2113132323	P.O.A
4	Panel frame	1	10912121002	2113132315	P.O.A
5	Air cleaner	1	10109121226	2113010212	P.O.A
6	Display Panel	1	10312121232	2113132317	P.O.A
7	Window for receiver	1	10412121201	2113132310	P.O.A
8	Indicator for LED	1	10412121202	2113132309	P.O.A
9	Horizontal louver	1	10312121205	2113132335	P.O.A
10	Vertical louver	11	10312121206	2113132336	P.O.A
11	Louver motor	1	10312121207	2240020012	P.O.A
12	Air out frame	1	10912121004	2113132334	P.O.A
13	Louver holder	1	10312121219	2113132337	P.O.A
14	Louver rocker	2	10312121218	2113132338	P.O.A
	Rocker gasket	2	10309121214	2273010203	P.O.A
15	Drain hose	1	10112121213	2110102007	P.O.A
16	Left holder for evaporator	1	30012144054	2113132313	P.O.A
17	Evaporator	1	10312121248	2153239004	P.O.A
18	Bearing holder	1	10309121220	2273010201	P.O.A
19	Cross flow fan, assy	1	10312121213	2110020008	P.O.A
20	Chassis	1	10312121214	2113132302	P.O.A
21	Installation Plate	1	10312121215	2123050005	P.O.A
22	Connecting pipe clamp	1	10309121225	2113010204	P.O.A
23	Fan motor	1	10609111002	2240030008	P.O.A
24	Motor cover	1	15012113006	2113132316	P.O.A
25	Remote Controller	1	10312121268	2335509136	P.O.A
26	Holder, Remote Controller	1	10718121009	2113139022	P.O.A
27	Wire joint	1	10609111006	2230145105	P.O.A
28	Wire clamp	1	10309121235	2113010209	P.O.A
29	Display board	1	10318111001	2333139087	P.O.A
30	Main control board	1	10318111002	2133139081	P.O.A
	program chip	1	10312121240	2130073882	P.O.A
31	E-Parts Box	1	10312121223	2113139141	P.O.A
32	E-part box cover	1	10318111003	2113139122	P.O.A
33	Electric control assy	1	10312121264	2333239006	P.O.A
34	Copper nut, TLM-A01	1	10909121012	2160032000	P.O.A
35	Copper nut, TLM-B02	1	10909121013	2160032001	P.O.A

OUTDOOR UNIT PARTS LIST

Exploded View Parts for Model : TKU(H)09VM 115V, 60Hz : Outdoor Unit



NO.	PARTS DESCRIPTION	QUANTITY	PARTS CONTROL NO.		UNIT PRICE
No.	Part Name	Quantity	Sale code	BOM Code	Price(\$)
1	Clamp for front net	6	10112121801	2113511801	P. O. A
2	Front Net Cover Ass	1	10109121801	2123510023	P. O. A
3	Front clapboard	1	13012111801	2123525264	P. O. A
4	Propeller fan	1	10112121803	2110030502	P. O. A
5	Fan Motor	1	12109114801	2240049020	P. O. A
6	Holder for fan motor	1	20409111802	2123525223	P. O. A
7	Small Handle	1	10830121811	2115029006	P. O. A
8	Cover	1	13012111805	2123525265	P. O. A
9	Condensor assembly	1	10312121249	2153739002	P. O. A
10	Rear net	1	13012111806	2113525201	P. O. A
11	Right clapboard	1	10318111008	2123529218	P. O. A
12	Big Handle	1	10309121003	2123529217	P. O. A
13	Installation plate for	1	10118113805	2123500018	P. O. A
14	Water collector	1	10118121832	2113529005	P. O. A
15	Separating board	1	10309121004	2123525761	P. O. A
16	Installation board for	1	10309121006	2123527925	P. O. A
17	Electronic control box	1	10312121236	2123529216	P. O. A
18	E-parts installation bo	1	11018121824	2113521304	P. O. A
19	Capacitor Clamp	1	10109121822	2120010005	P. O. A
20	Compressor capacitor	1	10318111009	2240100751	P. O. A
21	Fan motor capacitor	1	11442122024	2240119010	P. O. A
22	Washer for wire joint	1	10112121817	2113500004	P. O. A
23	Wire joint	1	10309121005	2230145106	P. O. A
24	Wire Clamp	1	10112121816	2121990001	P. O. A
25	Chassis	1	11212111001	2123529074	P. O. A
26	Compressor	1	10312121246	2140063340	P. O. A
27	Underlay for compressor	3	10607111813	2272031101	P. O. A
28	Over current protector	1	10309121007	2240219143	P. O. A
29	Liquid valve assembly	1	10312121269	2163739027	P. O. A
30	Liquid pipe valve	1	50118121802	2160074522	P. O. A
31	Gas valve assembly	1	10312121271	2163739030	P. O. A
32	Low Pressure Valve	1	12809121803	2160072094	P. O. A
33	Copper nut, TLM-A01	1	10909121012	2160032000	P. O. A
34	Copper nut, TLM-C03	1	10912121019	2160032002	P. O. A
35	Main control board ass	1	10312121245	2133529202	P. O. A