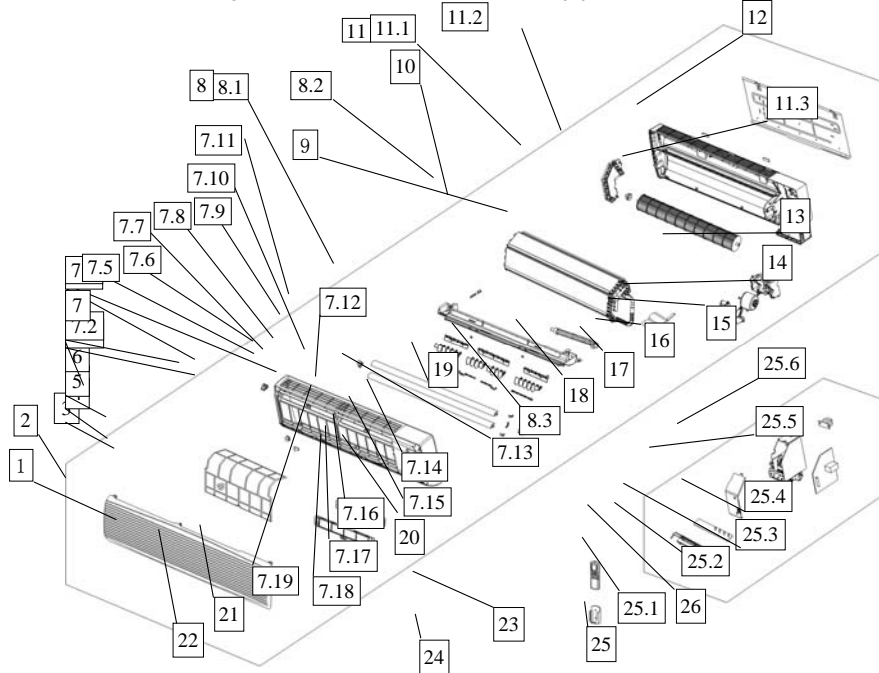


INDOOR UNIT PARTS LIST
Exploded View Parts for Model: TKU(H)24WM 220-230V,60Hz Indoor Unit

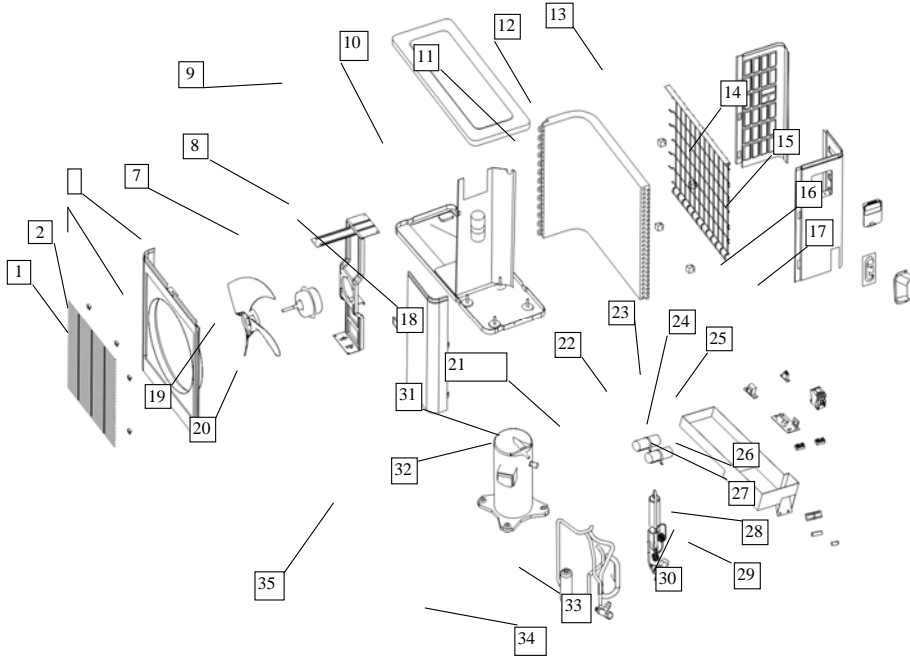


No.	PARTS DESCRIPTION	QUANTITY	PARTS CONTROL NO.		UNIT PRICE
No.	Part Name	Quantity	Sale code	BOM code	Price(\$)
1	Front panel	1	10336111001	2113079365	P. O. A
2	Air filter	2	10336111002	2113079121	P. O. A
3	Screw cap	3	10336111003	2113079131	P. O. A
4	Down clap for panel frame	4	10336111004	2113079366	P. O. A
5	Panel frame	1	10336111005	2113079368	P. O. A
6	Up clap for panel frame	2	10336111006	2113079367	P. O. A
7	Air out frame assy	1	10336111007	2113079134	P. O. A
7.1	Horizontal louver, down	1	10336111008	2113079369	P. O. A
7.2	Left bush for horizontal louver	1	10336111009	2113079370	P. O. A
7.3	Horizontal louver, up	1	10336111010	2113079371	P. O. A
7.4	Louver connector, middle-left	1	10336111011	2113079372	P. O. A
7.5	Louver connector, left	1	10336111012	2113079373	P. O. A
7.6	Vertical louver, small size	2	10336111013	2113079374	P. O. A
7.7	Vertical louver, large size	12	10336111014	2113079375	P. O. A
7.8	Louver holder, left	1	10336111015	2113079376	P. O. A
7.9	Air out frame	1	10336111016	2113079378	P. O. A
7.10	Louver holder, middle	1	10336111017	2113079377	P. O. A
7.11	Stopple	1	10336111018	2273079003	P. O. A
7.12	Vertical louver, middle size	2	10336111019	2113079385	P. O. A
7.13	Bush	4	10336111020	2113079388	P. O. A
7.14	Louver holder, right	1	10336111021	2113079387	P. O. A
7.15	Louver connector, right	1	10336111022	2113079386	P. O. A
7.16	Swing bar for up horizontal louver	1	10336111023	2113079383	P. O. A
7.17	Connector for horizontal louver	1	10336111024	2113079382	P. O. A
7.18	Swing bar for down horizontal louver	1	10336111025	2113079381	P. O. A
7.19	Louver connector, middle-right	1	10336111026	2113079384	P. O. A
8	Evaporator assy	1	10336111079	2153319000	P. O. A
8.1	Evaporator I	1	10336111063	2153289002	P. O. A
	Evaporator II	1	10336111064	2153289003	P. O. A
	Evaporator III	1	10336111065	2153289004	P. O. A
	Evaporator IV	1	10336111066	2153289005	P. O. A
	Right holder for evaporator	1	10336111032	2123079025	P. O. A
8.2	Left holder for evaporator	1	10336111033	2113079122	P. O. A
8.3	Input pipe for evaporator	1	10336111075	2163079134	P. O. A
	Output pipe for evaporator	1	10336111076	2163079135	P. O. A
9	Cross flow fan, assy	1	10336111036	2110029011	P. O. A
10	Bearing holder	1	10336111037	2110109004	P. O. A

11	Chassis assy	1	10336111038	2113079135	P. O. A	
11.1	Chassis	1	10336111039	2113079389	P. O. A	
11.2	Left rear cover for chassis	1	10336111040	2113079379	P. O. A	
11.3	Right rear cover for chassis	1	10336111041	2113079380	P. O. A	
12	Installation plate	1	10336111042	2123079026	P. O. A	
13	Corner board for chassis	1	10336111043	2113079125	P. O. A	
14	Base for motor	1	10321111066	2113309034	P. O. A	
15	Fan motor	1	10321111067	2240041650	P. O. A	
16	Cover for motor	1	10321111068	2113309035	P. O. A	
17	Small cover for motor	1	10336111047	2113079124	P. O. A	
18	Waterproof board	1	10330112015	2113079203	P. O. A	
19	Drain hose	1	10109121215	2113000001	P. O. A	
20	Louver motor	1	10336111050	2240020007	P. O. A	
21	Air cleaner	1	10336111051	2113079130	P. O. A	
22	Air cleaner holder	1	10336111052	2113079129	P. O. A	
23	Remote controller	1	10109111203	2335509005	P. O. A	
24	Holder for remote controller	1	10109121208	2115501001	P. O. A	
25	E-parts assy	1	10321111069	2333309011	P. O. A	
25.1	Display board	1	10336111054	2133079858	P. O. A	
25.2	Wire joint, 4p	1	10609111006	2230145105	P. O. A	
25.3	Wire clamp	1	10336111056	2113079120	P. O. A	
25.4	Main control board	1	10321111070	2133309011	P. O. A	
25.5	E-Parts box	1	10321111071	2113309036	P. O. A	
25.6	Transformer	1	10118121232	2230099003	P. O. A	
25.7	Indoor temp sensor	1	10109121243	2243069052	P. O. A	
25.8	Evaporator temp sensor	1	10109121242	2243069051	P. O. A	
26	E-part box cover	1	10321111072	2113309033	P. O. A	
27	Bottom cover for e-box	1	10336111060	2113079123	P. O. A	
28	Clamp for temp sensor	1	10109121231	2113039070	P. O. A	
29	Protector for temp sensor	1	10112121224	2113049002	P. O. A	
30	Copper nut, GLM-D04	1	11324113804	2160032003	P. O. A	
31	Copper nut, GLM-B02	1	10909121013	2160032001	P. O. A	

OUTDOOR UNIT PARTS LIST

Exploded View Parts for Model **TKU(H)24WM 220-240V,50Hz : Outdoor Unit**



No.	PARTS DESCRIPTION	QUANTITY	PARTS CONTROL NO.		UNIT PRICE
No.	Part Name	Quantity	Sale code	BOM code	Price(\$)
1	Front net	1	10118121801	2124550017	P. O. A
2	Clamp for front net	8	10112121801	2113511801	P. O. A
3	Front clapboard	1	10336121801	2124532937	P. O. A
4	Propeller fan	1	10336111801	2110030202	P. O. A
5	Fan motor	1	10321111818	2240043113	P. O. A
6	Holder for fan motor	1	10336121802	2123549027	P. O. A
7	Chassis	1	10336111820	2124530260	P. O. A
8	Separating board	1	50224123803	2124532908	P. O. A
9	Cover	1	10336121803	2124532936	P. O. A
10	Condenser	1	10336111824	2153809001	P. O. A
11	Underlay for rear net	4	10118121818	2274550001	P. O. A
12	Rear net	1	10224121813	2114532902	P. O. A
13	Left clapboard	1	10224121828	2124530063	P. O. A
14	Rear right clapboard	1	10318121016	2123549047	P. O. A
15	Big handle	1	10309121003	2123529217	P. O. A
16	Installation plate for valves	1	11426432807	2124537923	P. O. A
17	Water collector	1	10336111804	2113549001	P. O. A
18	Refrigerant container	1	10224121817	2160100104	P. O. A
19	Small handle	1	10224121809	2114540003	P. O. A
20	Front right clapboard	1	10224121825	2124532903	P. O. A
21	Installation board for E-parts	1	10318121017	2123549050	P. O. A
22	Transformer	1	11018121010	2230090080	P. O. A
23	Fan motor capacitor	1	10718121804	2240110404	P. O. A
24	Main control board	1	15021111803	2133549111	P. O. A
25	Contacting	1	10121121806	2230085004	P. O. A
26	Wire joint for multiplexer	2	10121121809	2230145035	P. O. A
27					P. O. A
28	Wire joint	1	10309121011	2230145099	P. O. A
29	Clamp for wiring	1	10118121823	2124540027	P. O. A
30	Washer for wire joint	1	10112121817	2113500004	P. O. A
31	Capacitor clamp	2	31116313015	2120010009	P. O. A
32	Compressor capacitor	2	10118121820	2240109017	P. O. A
33	Liquid pipe valve, assy	1	10321111819	2163809089	P. O. A
	Liquid pipe valve	1	10336111827	2160074297	P. O. A
34	Gas pipe valve, assy	1	10321111820	2163809088	P. O. A
	Gas pipe valve	1	10321111821	2160072397	P. O. A
35	Compressor	1	10321111822	2140063510	P. O. A
36	Copper nut, TLM-D04	1	11324113804	2160032003	P. O. A
37	Copper nut, TLM-B02	1	10909121013	2160032001	P. O. A