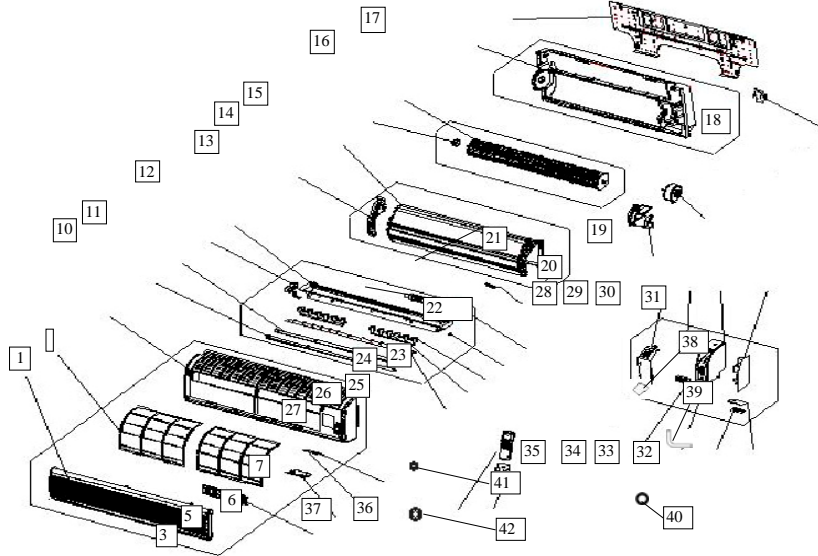
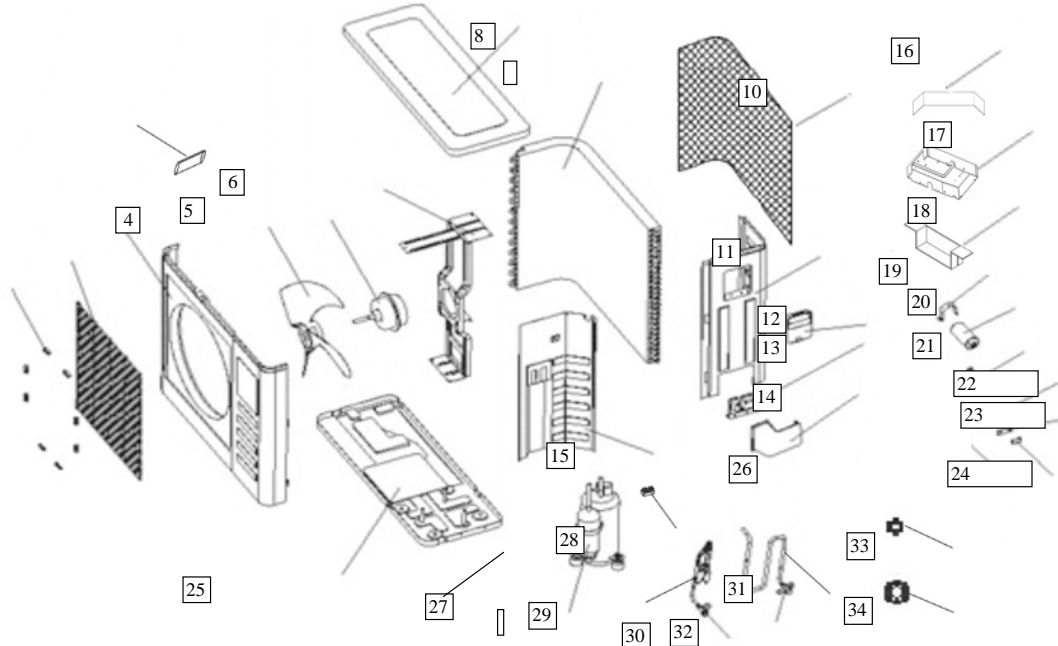


**INDOOR UNIT PARTS LISTS**  
**Exploded View Parts for Model: TKU(H)12VM 115V,60Hz Indoor Unit**



NO	PARTS DESCRIPTION	QUANTITY	PARTS CONTROL NO.		UNIT PRICE	REMARK
No.	Part Name	Quantity	Sale code	BOM code	Price(\$)	
1	Front panel	1	10318121201	2113139942	P. O. A	
2	Air filter	2	10318121202	2113101402	P. O. A	
3	Air cleaner	1	10109121226	2113010212	P. O. A	
	Air cleaner holder	1	10109121225	2113010217	P. O. A	
4	Panel frame	1	10318121203	2113020721	P. O. A	
5	Display panel	1	10418111001	2113020733	P. O. A	
6	Protector for temp sensor	1	10112121224	2113049002	P. O. A	
7	Clamp for temp sensor	1	10109121231	2113039070	P. O. A	
8	Horizontal louver, up	1	10318121205	2113020723	P. O. A	
9	Horizontal louver, down	1	10318121206	2113020724	P. O. A	
10	Louver motor	1	10316121202	2240010022	P. O. A	
11	Air out frame	1	10318121208	2113020725	P. O. A	
12	Left holder for evaporator	1	10318121210	2113131603	P. O. A	
13	Evaporator	1	10318121251	2153029016	P. O. A	
14	Bearing holder	1	10318121212	2273101401	P. O. A	
15	Cross flow fan, ass'y	1	10318121213	2113101401	P. O. A	
16	Chassis	1	10318121215	2113020728	P. O. A	
17	Installation plate	1	10318121216	2123101404	P. O. A	
18	Connecting pipe clamp	1	10318121217	2113101405	P. O. A	
19	DC motor	1	10312121259	2240030011	P. O. A	
20	Motor cover	1	10318121222	2113101403	P. O. A	
21	Evaporator temp sensor	1	10109121242	2243069051	P. O. A	
22	Indoor temp sensor	1	10109121243	2243069052	P. O. A	
23	Drain hose	1	10318121223	2110102009	P. O. A	
24	Bush	2	10318121224	2113020729	P. O. A	
25	Louver	12	10318121225	2113020730	P. O. A	
26	Louver holder	2	10318121226	2113020731	P. O. A	
27	Connecting bar for louver	1	10318121227	2113020732	P. O. A	
28	E-part box cover	1	10318121228	2113139042	P. O. A	
29	Program Chip	1	10312121241	2130073883	P. O. A	
30	E-parts box	1	11318113002	2113101410	P. O. A	
31	Main control board	1	10312121242	2133259007	P. O. A	
32	Display board, ass'y	1	10312121244	2133259010	P. O. A	
33	Display board enclosure	1	10312121231	2113020652	P. O. A	
34	Wire clamp for power cord	1	10318121234	2113040042	P. O. A	
35	Wire joint, 4p	1	10609111006	2230145105	P. O. A	
36	Holder, remote controller	1	10718121009	2113139022	P. O. A	
37	Remote controller	1	10312121268	2335509136	P. O. A	
38	Switch board	1	10312121243	2133259009	P. O. A	
39	Connection pipe for drainage	1	11609121003	2110102011	P. O. A	
40	Sealing ring	1	31009321021	2272009001	P. O. A	
41	Copper nut, TLM-A01	1	10909121012	2160032000	P. O. A	
42	Copper nut, TLM-C03	1	10912121019	2160032002	P. O. A	

**OUTDOOR UNIT PARTS LIST**  
**Exploded View Parts for Model TKU(H)12VM 115V, 60Hz Outdoor Unit**



NO	PARTS DESCRIPTION	QUANTITY	PARTS CONTROL NO.		UNIT PRICE	Remark
No.	Part Name	Quantity	Sale code	BOM code	Price(\$)	
1	Clamp for front net	6	10112121801	2113511801	P. O. A	
2	Front Net Cover Ass'y	1	10109121801	2123510023	P. O. A	
3	Front clapboard	1	11612121804	2123527248	P. O. A	
4	Propeller fan	1	10112121803	2110030502	P. O. A	
5	Fan Motor	1	12109114801	2240049020	P. O. A	
6	Holder for fan motor	1	12909121801R	2123527402	P. O. A	
7	Small Handle	1	10830121811	2115029006	P. O. A	
8	Cover	1	11612121806	2123527249	P. O. A	
9	Condensor assembly	1	12812111802	2153529110	P. O. A	
10	Rear net	1	11607111058	2113527207	P. O. A	
11	Right clapboard	1	10312121239	2123759003	P. O. A	
12	Big Handle	1	10309121003	2123529217	P. O. A	
13	Installation plate for valves	1	10309121809	2123512614	P. O. A	
14	Water collector	1	10312121811	2113527201	P. O. A	
15	Separating board	1	12909121804	2123527007	P. O. A	
16	Installation board for E-parts	1	10312121238	2123759002	P. O. A	
17	Electronic control box	1	10318111822	2123759006	P. O. A	
18	E-parts installation box	1	12818111039	2113521305	P. O. A	
19	Capacitor Clamp	1	10109121822	2120010005	P. O. A	
20	Compressor capacitor	1	10318111009	2240100751	P. O. A	
21	Fan motor capacitor	1	11442122024	2240119010	P. O. A	
22	Washer for wire joint	1	10112121817	2113500004	P. O. A	
23	Wire joint	1	10309121005	2230145106	P. O. A	
24	Wire Clamp	1	10112121816	2121990001	P. O. A	
25	Chassis	1	10312113804	2123527222	P. O. A	
26	Compressor	1	10312121247	2140063350	P. O. A	
27	Underlay for compressor	3	10607111813	2272031101	P. O. A	
28	Over current protector	1	10309121007	2240219143	P. O. A	
29	Liquid valve assembly	1	10312121272	2163759028	P. O. A	
30	Liquid pipe valve	1	10307121801	2160074523	P. O. A	
31	Gas valve assembly	1	10312121255	2163759030	P. O. A	
32	Low Pressure Valve	1	12812111807	2160072195	P. O. A	
33	Copper nut, TLM-A01	1	10909121012	2160032000	P. O. A	
34	Copper nut, TLM-C03	1	10912121019	2160032002	P. O. A	
35	Main control board ass'y	1	10312121245	2133529202	P. O. A	